



FORT  
WHEELBARROWS  
CONCRETE MIXERS  
CONSTRUCTION  
EQUIPMENT

# Altrad Belle reversible plate compactor RPX 35/40 / RPX 35/50 / RPX 35/60



CE

Altrad Fort BV  
Simon Stevinstraat 6  
4004 JV Tiel  
The Netherlands

Made in UK



+31 344 638 484  
info@altradfort.nl  
www.altradfort.nl

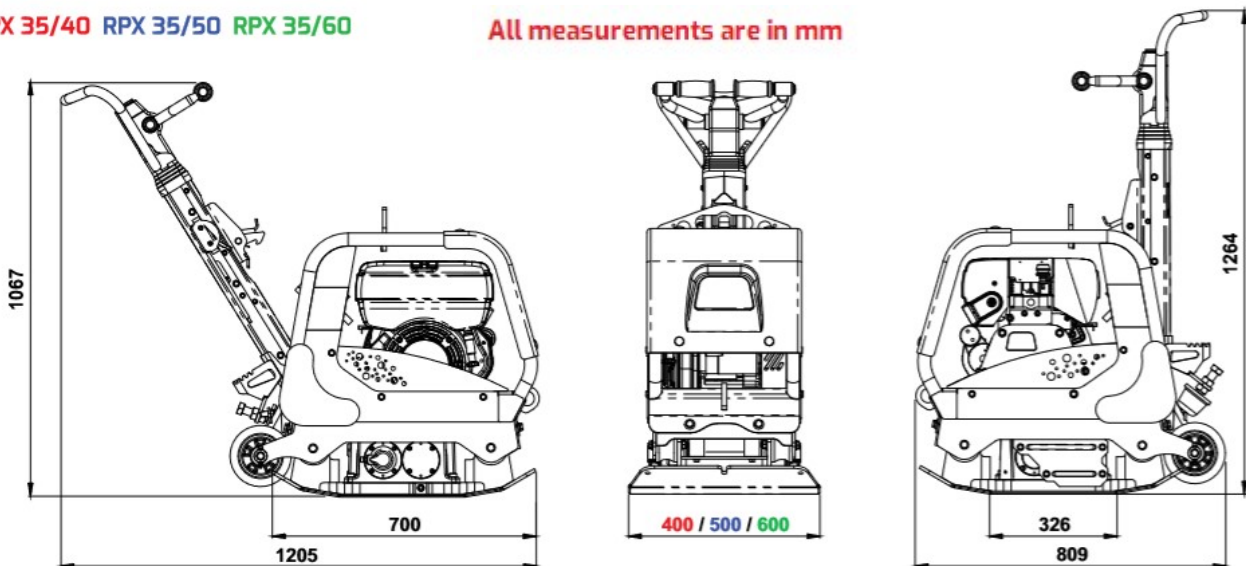
The Altrad Belle RPX 35 reversible plate compactors are specially designed for heavier compaction work. With a new design, these plate compactors are very robust and resistant to the toughest conditions. The optimum and highly durable steel base plate is stronger than "all" other switch plate compactors with cast base plate. In combination with a high-frequency vibration element and a Hatz diesel or Honda petrol engine, you are assured of perfect proportional compaction and a high performance and travel speed.

Benefits:

- Ergonomic control handle with low hand-arm vibration
- Large, centrally placed lifting eye
- Lithium-ion battery (electric start) with LED warning / control lights
- With integrated transport wheels and locking as standard
- Available in Honda gasoline, Hatz diesel and Hatz diesel with electric starter
- Oil protection
- Speed of 3000 rpm
- Maximum gradation 20 (°)
- Sound level 108 (dB (A))
- Hydraulic switch mechanism
- Optimal, laser-cut, highly wear-resistant base plate
- Equipped with hour meter as standard
- Optional: rubber bottom plate (can be used forwards and backwards)
- Very suitable for rental
- Good value for money
- Parts for maintenance available quickly

RPX 35/40 RPX 35/50 RPX 35/60

All measurements are in mm



Scan the QR code and view videos of various Altrad Belle products



## Technical specifications

Model	RPX 35/40	RPX 35/40D	RPX 35/40DE
Article number	63466	63467	63468
Motor	Honda GX200	Hatz 1B20 Diesel	Hatz 1B20 Diesel— <b>Electric starter</b>
Power (pk/kW)	5.5/4.0	4.2/3.1	4.2/3.1
Plate size LxW (mm)	700x400	700x400	700x400
Centrifugal force (kN)	35	35	35
Static pressure (kg/m <sup>2</sup> )	1351	1436	1449
Frequency (Hz)	81	81	81
Vibration (m/sec <sup>2</sup> )	3.1	2.4	2.4
Travel speed (m/min)	27	27	27
Weight (kg)	176	187	189



Petrol starter



Electric starter

Model	RPX 35/50	RPX 35/50D	RPX 35/50DE
Article number	63469	63470	63471
Motor	Honda GX200	Hatz 1B20 Diesel	Hatz 1B20 Diesel— <b>Electric starter</b>
Power (pk/kW)	5.5/4.0	4.2/3.1	4.2/3.1
Plate size LxW (mm)	700x500	700x500	700x500
Centrifugal force (kN)	35	35	35
Static pressure (kg/m <sup>2</sup> )	1104	1172	1190
Frequency (Hz)	81	81	81
Vibration (m/sec <sup>2</sup> )	3.1	2.4	2.4
Travel speed (m/min)	26	26	26
Weight (kg)	180	191	194



Fuel control

Model	RPX 35/60	RPX 35/60D	RPX 35/60DE
Article number	63463	63464	63465
Motor	Honda GX200	Hatz 1B20 Diesel	Hatz 1B20 Diesel— <b>Electric starter</b>
Power (pk/kW)	5.5/4.0	4.2/3.1	4.2/3.1
Plate size LxW (mm)	700x600	700x600	700x600
Centrifugal force (kN)	35	35	35
Static pressure (kg/m <sup>2</sup> )	944	1000	1057
Frequency (Hz)	81	81	81
Vibration (m/sec <sup>2</sup> )	3.1	2.4	2.4
Travel speed (m/min)	25	25	25
Weight (kg)	185	196	207



Ergonomic operating handle



## Optional: rubber base plate

Base plate for model	RPX 35/40	RPX 35/40D	RPX 35/40DE
----------------------	-----------	------------	-------------

Article number

EAN code



1. The RPX 35 reversible plate compactors are intended for deep compaction of various substrates.
2. The RPX with electric starter are equipped with a high-quality Lithium-Ion battery.
3. The image above shows the RPX 35/60 with Hatz diesel engine with electric starter.
4. All RPX variants have an integrated hour meter.
5. Integrated transport wheels with security.

CE