



FORT
WHEELBARROWS
CONCRETE MIXERS
CONSTRUCTION
EQUIPMENT

Altrad Belle battery plate compactor PCX 13/40E+



CE

Altrad Fort BV
Simon Stevinstraat 6
4004 JV Tiel
The Netherlands

Made in UK



+31 344 638 484
info@altradfort.nl
www.altradfort.nl

The Belle **PCX 13/40E+** is a heavyweight among the professional combination vibratory plates. Designed with an emission-free **Honda engine**, powered by a **Li-ion battery**, this vibratory plate meets all compaction requirements. Ideal for use in enclosed and poorly ventilated areas.

Thanks to the patented anti-vibration system, the hand/arm vibration is very low and can be used for long periods of time to provide high performance compaction equivalent to the petrol equivalent... Without impact on the environment.

Building a sustainable future with Belle!

Features & technical specifications:

- Equipped with a robust and highly efficient brushless Honda eGX motor.
- Durable Honda Lithium Ion battery.
- Zero emission, work environmentally friendly both outdoors and indoors or in closed or poorly ventilated areas such as basements and tunnels.
- Low noise levels offer an increase in working hours and enables the use in noise restricted areas.
- The high performance, 13kN vibration unite gives excellent travel speed and compaction force, reducing the operating times as well.
- Low operating Hand & Arm vibration levels enables over 8 hours of operating time.
- Foldable mounted guide handle offers superior manoeuvrability, enables to be lowered to work under obstacles and close to form work.
- Reinforced centrifugal clutch ensures longer belt life and simplified belt adjustment.
- Single switch operation makes it easier to start the power unit, without choke or recoil start.
- 3-speed selector, which allows for slower speeds when working around any obstacle.
- Low in maintenance, no need for routine service.
- Robust battery cover with steel subframe to protect the battery, with integrated viewing window to keep track of the battery power level.
- Integrated lifting points, including front lift cage, which offers easy (un)loading.
- Life lubricated vibration bearings.
- Optional available:
 - large 9.5 litre water tank, possible to be built in, having it protected by the main frame. Comes with the spraybar, which is fully protected from damage and easily positioned, with angled holes, intergral paving pad and clamp points (request more info at the sales department).
 - Mountable wheelkit.
 - Block paving pad.

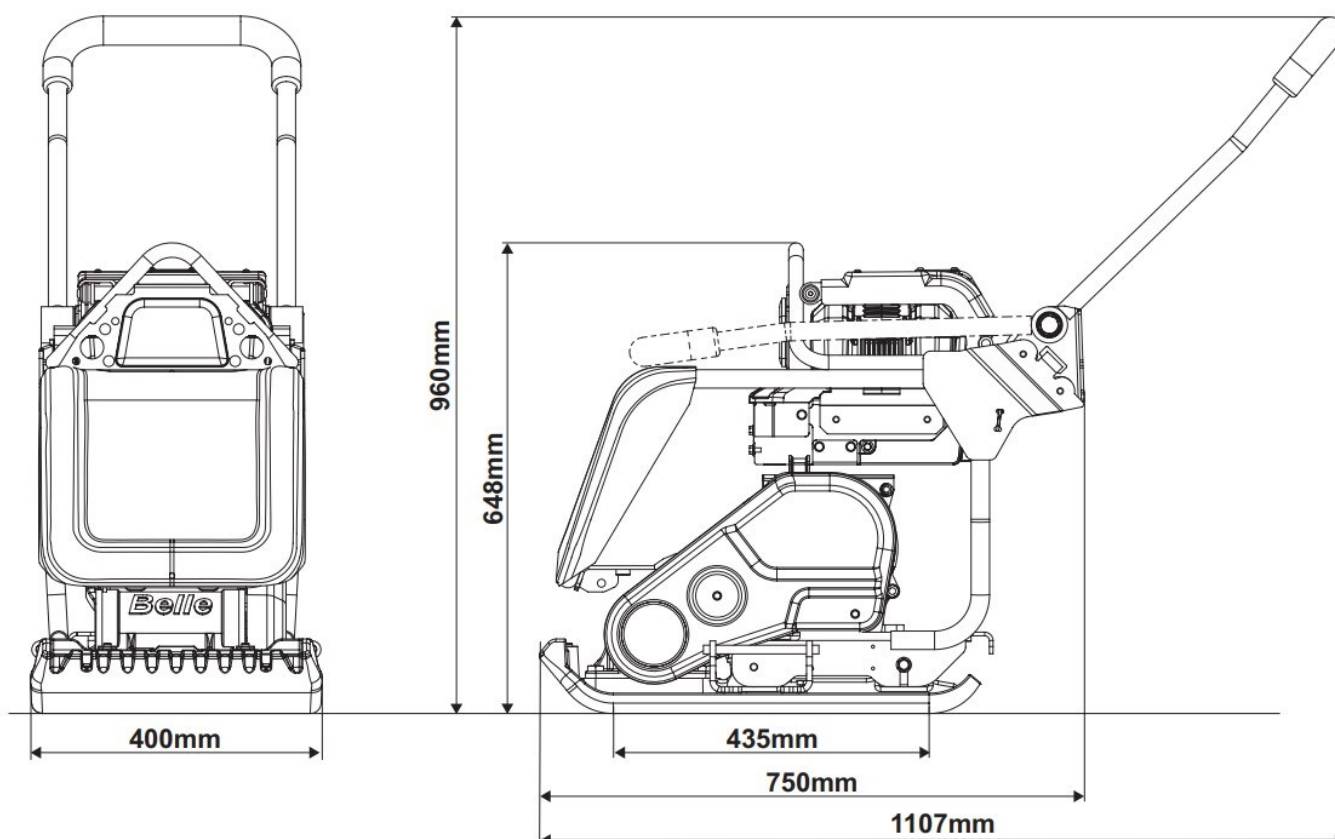


Scan de QR-code en bekijk video's van diverse Altrad Belle-producten op de website van Altrad Fort.



Model	PCX 13/40E+	Battery	Li-Ion Honda
Article number	63480	Article number	63481
EAN code		EAN code	
Motor type	Honda eGX	Voltage (V)	72
Power (Hp/kW)	2,2 / 1,6	Energy rating (Wh)	720
Motor RPM	3600/3000/2800	Energy capacity (Ah)	10
Centrifugal force (kN)	13	Dimensions LxBxH (mm)	268 x 233 x 150
Frequency (Hz)	101	Weight (kg)	6,4
Walking speed (m/min)	20	80% charge time (min)	± 50
Static pressure (kg/m ²)	560	100% charge time (min)	± 75
Vibration level (m/sec ²)/u	<2,5		
Plate dimensions LxB (mm)	606 x 400		
Weight (kg)	89		
Noise level (dB(A))	105		
		Options	Article number
		Battery storage box (1 battery)	63482
		eGX battery charger EU	63484
		Charger storage box	63483
		Water spray kit: 9,5 l. tank + spray bar	Tbd
		Fixed wheel kit	63485
		Block paving pad	Tbd

Dimensions





Battery power level indicator.



Emission free, low noise, battery powered Honda eGX motor.



Simple, single switch operation and easy 3 speed selector.



Honda Li-ion battery, covered by robust battery cover with steel sub-frame.



Optionally available:

- **Block paving pad.**
- **Fixed wheel kit.**